

Two-Stage Pull Stations

The Advanced RMS Series Two-Stage Pull Stations consists of a family of four (4) models. Models include single or dual action with either combination English/ French labeling or English labeling only.

The RMS Series Two-Stage Pull Stations are manually operated non-coded pull stations specifically designed to meet the Canadian Two-Stage alarm activation requirements, where a Stage 1 activation provides an Alert Signal and a Stage 2 activation provides an Alarm Signal. Each station includes a pull handle (“TIREZ - PULL” or “PULL DOWN”) for alert signaling and a second stage key operated switch for activating an alarm signal. For safety reasons, the second stage alarm key switch is only accessible after the pull handle has been activated.

The high quality, die-cast RMS Series Two-Stage Pull Stations include screw terminal connections for easy wiring. In addition, each pull station comes with a Hex screw reset tool, a two-stage activation key and a break-glass rod.



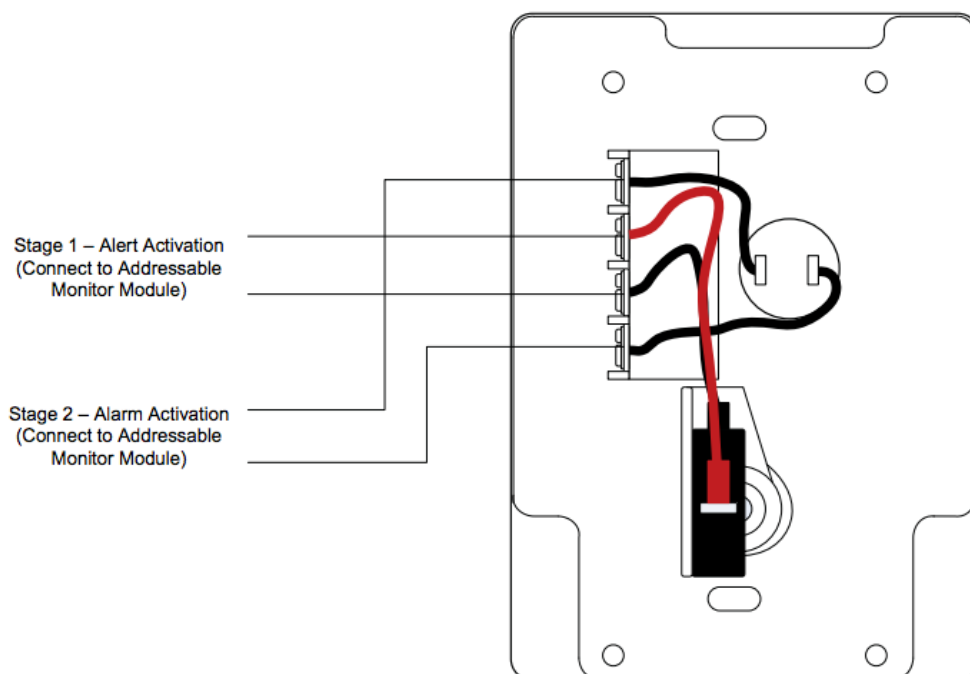
Features

- Two-Stage Pull Station
- Single or Dual Action
- English/French or English Labeling
- High-Quality Die-Cast Construction
- Low Profile, High Visibility Design
- Screw Terminal Connections
- Optional Break-Glass Rod
- Hex Key Lock for Reset

Listings and Approvals

- ULC Listed: 32ZS

Wiring Diagram



Specification

Switch Rating	
Micro Switch	10 Amp @ 120 VAC
Key Switch	0.5 Amp @ 30 VDC
RMS-1T-KS (F)	
Dimensions	4.75"H x 3.2"W x .875"D
Weight	15.5oz
RMS-1T-KS-LP (F)	
Dimensions	4.75"H x 3.325"W x 1.5"D
Weight	1lb 4oz

Order Codes and Options

RMS-1T-KS	Conventional Single Action Two-Stage Pull Station, English Labeling
RMS-1T-KS-F	Conventional Single Action Two-Stage Pull Station, English/French Labeling
RMS-1T-KS-LP	Conventional Dual Action Two-Stage Pull Station, English Labeling
RMS-1T-KS-LP-F	Conventional Dual Action Two-Stage Pull Station, English/French Labeling

[Check if this document is up to date](#) | [Give us feedback](#)

Advanced, The Bridges, Balliol Business Park, Newcastle, NE12 8EW, UK T: +44 (0)845 894 7000, E: enquiries@advancedco.com, W: www.advancedco.com

As our policy is one of constant product improvement the right is therefore reserved to modify product specifications without prior notice.